

LA-107 Ground Plane Antenna

Listen[®]

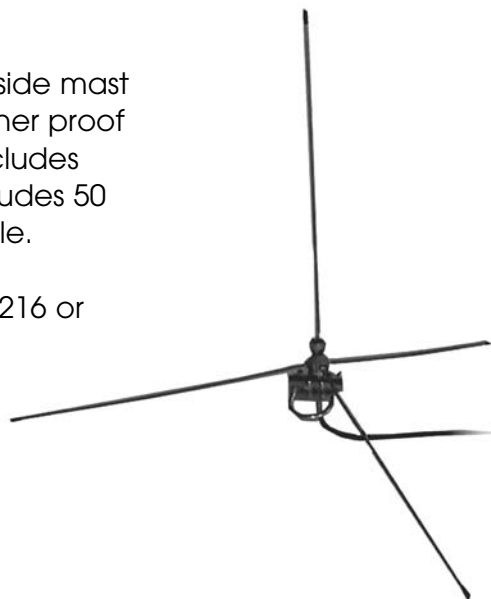
www.ListenTech.com

Specify Part Number

LA-107

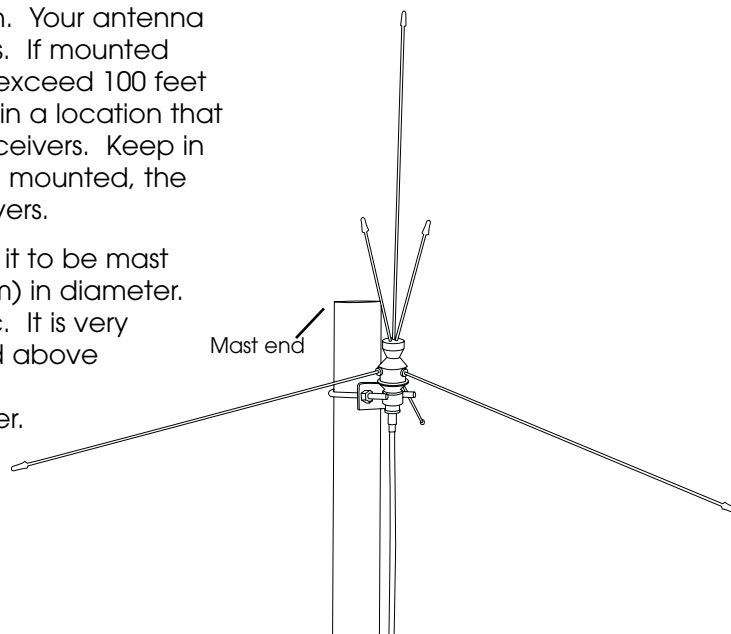
¼ wave antenna designed for outside mast or conduit mounting. Totally weather proof and can withstand high winds. Includes bracket for remote mounting. Includes 50 feet (15.2 m) of RG-58 coaxial cable.

Use with Listen's LT-800-216, LR-100-216 or LR-600-216.



Mast Mounting Option

- Mount the antenna in a strategic location. Your antenna may be placed either indoors or outdoors. If mounted outside, the highest elevation should not exceed 100 feet (30.5 m). The antenna should be placed in a location that will provide the best line of sight to the receivers. Keep in mind that the higher you have the LA-107 mounted, the more range you will get out of your receivers.
- The LA-107 includes a bracket that allows it to be mast mounted (vertical pole) up to 1.5 in. (4 cm) in diameter. This pole can be made of metal or plastic. It is very important that your mast does not extend above the antenna radiator. This will create interference and multi-path to the receiver.
- Mount LA-107 away from power lines, telephone lines, and metal surfaces.



Listen Technologies Corporation

8535 South 700 West, Suite A
Sandy, UT 84070-2515 U.S.A.
Phone: 1.801.233.8992 or 1.800.330.0891
Fax: 1.801.233.8995
Email: info@ListenTech.com

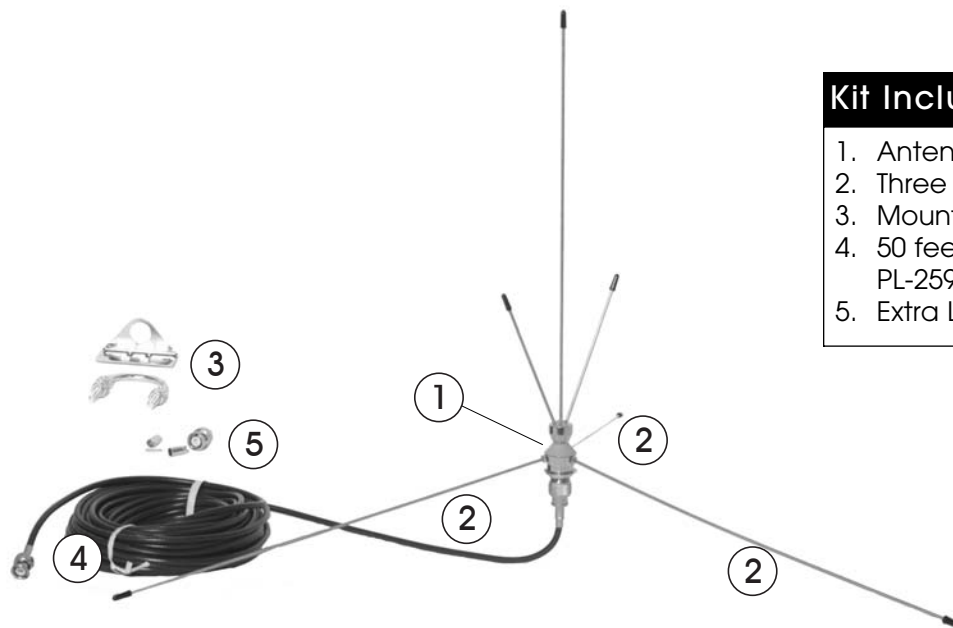
Don't miss a single sound.



LA-107 Ground Plane Antenna

Listen[®]

www.ListenTech.com



Kit Includes

1. Antenna base assembly
2. Three ground radials
3. Mounting hardware
4. 50 feet (3.04m) coaxial cable with PL-259 and LA-128 connections
5. Extra LA-128 connection

Specifications

Frequencies	216.01250- 216.9875 MHz
Center Frequencies	216.5 MHz
Antenna Type	¼ Wave
Connector	RG-58 BNC
Coax Provided	50 ft. (15.2 m) RG-58, 50 Ohm coaxial cable
Mounting Options	Mast bracket up to 1.5 in. (4 cm) diameter and conduit
Mounting Hardware	Includes bracket for remote mounting
Beam Width	360°
Antenna Ground Radial Lengths	13.5 in. (34 cm)
Antenna Base Lengths	13.5 in. (34 cm)
Diameter (installed)	30 in. (76 cm)
Weight	16 oz. (454 g)

Architectural Specifications

The Ground Plane Antenna shall be capable of operating from 216.0125 - 216.9875 with a center frequency of 216.5 MHz. The kit shall include the necessary mounting hardware to mount the antenna on a mast or conduit and/or on a flat surface. The antenna shall have a BNC connector and the kit shall come with 50 ft. (15.2 m) of RG-58 coax cable with BNC connectors. The kit shall include rigid antenna radials. The Listen LA-107 Ground Plane Antenna is specified.

Photographs, CAD drawings, etc. available at www.ListenTech.com.

Don't miss a single sound.

Listen Technologies Corporation
8535 South 700 West, Suite A
Sandy, UT 84070-2515 U.S.A.

Phone: 1.801.233.8992 or 1.800.330.0891
Fax: 1.801.233.8995
Email: info@ListenTech.com

LA-107 Ground Plane Antenna



www.ListenTech.com

Accessories



LA-127 RG-58 BNC Cable Connector



LA-114 Coaxial Connector Installation
(2 connectors)



LA-121 BNC Adapter
(LT-800-072 only)



LA-112 RG-58 Coaxial Cable



LA-113 RG-8 Low Loss Coaxial Cable

Use With



LT-800-216 Stationary Transmitter



LR-100-216 Stationary Receiver / Power Amplifier



LR-600-216 Wireless Speaker / Receiver

Warranty

Listen Technologies Corporation (Listen®) warrants its antenna (LA-107) to be free from defects in workmanship and material under normal use and conditions for 90 days from date of purchase. This warranty is only available to the original end purchaser of the product and cannot be transferred. Warranty is only valid if warranty card has been returned within 90 days of purchase. This warranty is void if damage occurred because of misuse or if the product has been repaired or modified by anyone other than a factory authorized service technician. Warranty does not cover normal wear and tear on the product or any other physical damage unless the damage was the result of a manufacturing defect. Listen is not liable for consequential damages due to any failure of equipment to perform as intended. Listen shall bear no responsibility or obligation with respect to the manner of use of any equipment sold by it. Listen specifically disclaims and negates any warranty of merchantability or fitness of use of such equipment including, without limitation, any warranty that the use of such equipment for any purpose will comply with applicable laws and regulations. The terms of the warranty are governed by the laws of the state of Utah, U.S.A. Listen will only accept returned products with prepaid shipping and with a return merchandise authorization number. To receive a return merchandise authorization number call 1.800.330.0891 or 1.801.233.8992. Please see www.ListenTech.com or contact Listen for complete warranty details.

Don't miss a single sound.

Listen Technologies Corporation
8535 South 700 West, Suite A
Sandy, UT 84070-2515 U.S.A.

Phone: 1.801.233.8992 or 1.800.330.0891
Fax: 1.801.233.8995
Email: info@ListenTech.com