

Using ListenTALK with Pro Intercom

Overview:

The purpose of this tech-note is to provide details and instructions to interface a ListenTALK system with the Pro Intercom AD903 adapter to allow communication between a wired intercom system and the wireless ListenTALK transceivers.

Products Needed:

These components are required for interfacing ListenTALK with an existing intercom system:

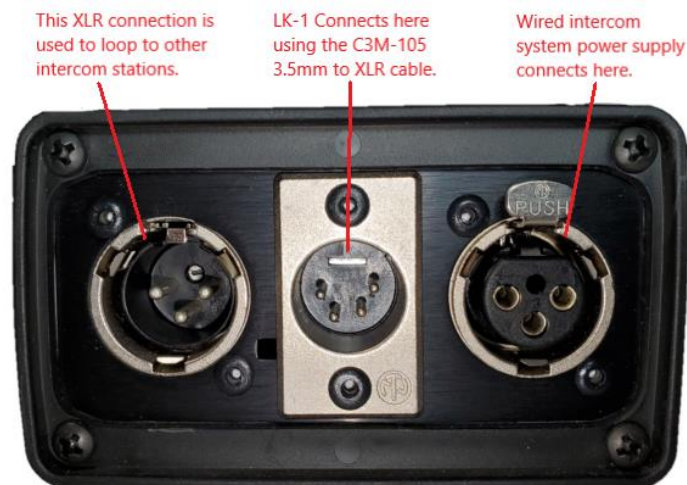
- [LK-1](#) ListenTALK Transceivers
- *AD903 Input/Output (I/O) Adapter
- *C3M-105 3.5mm TRRS male to 4-pin XLR female Cable
- XLR Cable (not provided by Listen)

**The AD903 adapter and C3M-105 cable are both products supplied by Pro Intercom.*

Setup Instructions:

Wiring & Interconnection:

- Connect the LK-1 transceiver to the male 4-pin XLR I/O connection of the AD903 adapter using the Pro Intercom C3M-105 cable.
 - The LK-1 that connects to the AD903 must be the Leader unit.
- Connect the AD903 adapter to the intercom power supply with an XLR cable using the female 3-pin XLR connection of the AD903 adapter.
- The male 3-pin XLR connection can be used to loop back to other intercom stations.



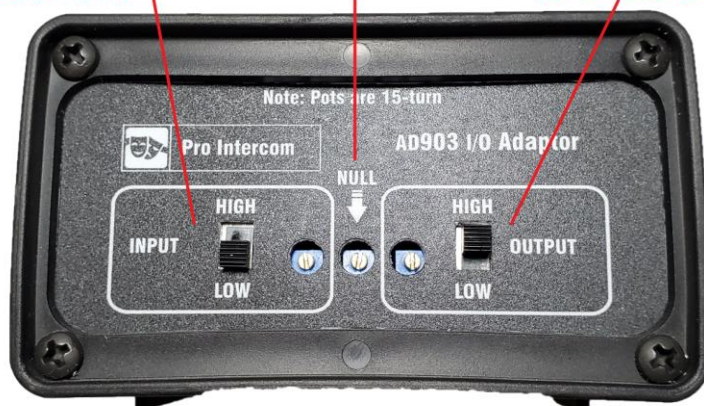
Settings & Configuration:

- LK-1:
 - Disable the Neck Loop Compatibility setting on the Leader unit.
 - This setting is enabled by default and must be disabled to ensure proper functionality of the system. Disabling this setting requires the use of the ListenTALK Software Suite, available for download here: <https://www.listentech.com/support/software/listentalk-software-suite/>
 - Volume level on the Leader unit that is connected to the AD903 should be set between 40-50%; Participant/Receiver units can remain at the default 35% volume level.
- AD903:
 - Set the OUTPUT switch to HIGH with the pot turned 12-14 turns clockwise from the fully counterclockwise (mute) position.
 - Set the INPUT switch to LOW with the pot turned 3-5 turns clockwise from the fully counterclockwise (mute) position.
 - It is recommended to leave the NULL setting in its default position. This controls the sidetone level and its effects are unnoticeable.

Adjusts output level from the Pro Intercom system to the ListenTALK units. Set switch to LOW and turn pot 3-5 turns clockwise.

Adjusts sidetone level performance. Recommended to leave at default.

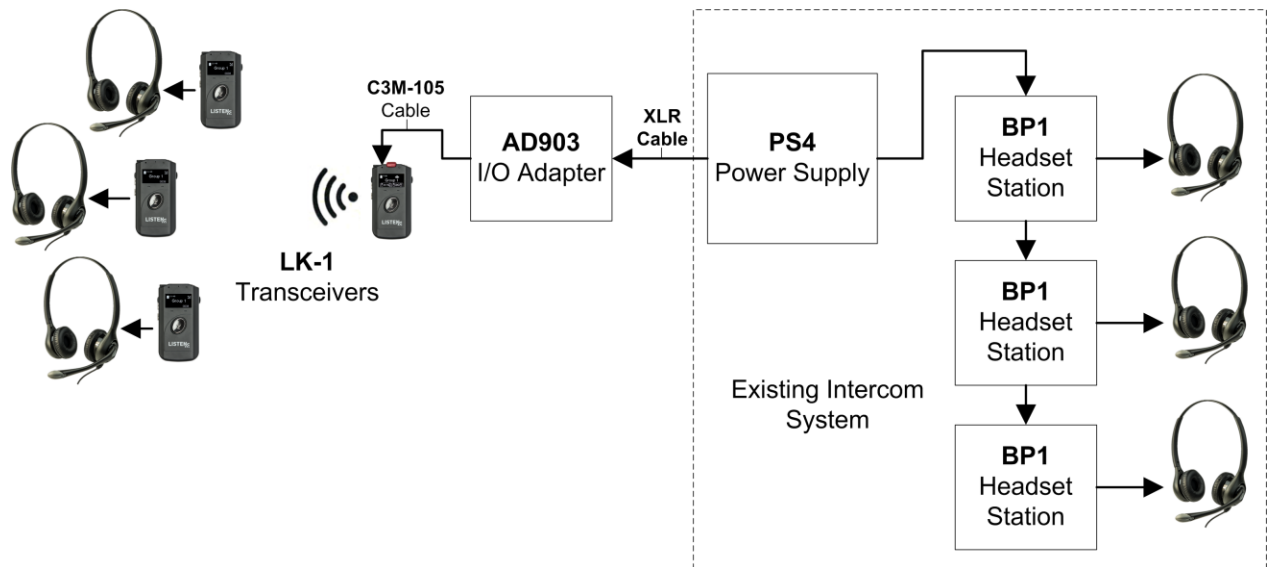
Adjusts output level from the ListenTALK system to the Pro Intercom stations. Set switch to HIGH and turn pot 12-14 turns clockwise.



Note: Turning the pots completely counterclockwise effectively mutes that output/input.

System Overview:

The diagram on the next page shows an example of a setup using the ListenTALK transceivers with the AD903 adapter to connect to a Pro Intercom system. The AD903 is powered by the supply of the intercom system it connects to, which is the **Pro Intercom PS4** in the example diagram. Pro Intercom states the AD903 is compatible with ClearCom and other intercom systems.



Note: The Pro Intercom C3M-105 cable must be used to interconnect the LK-1 Leader unit and the AD903 adapter. An XLR cable is needed to interface the AD903 with the existing intercom's power supply.

For more information on the AD903 adapter, please refer to Pro Intercom's adapter product page here: <http://prointercomllc.com/category/adapters/>.

Pro Intercom sells their product through authorized dealers. For information on pricing & purchasing, Pro Intercom has created a dealer locator tool for customers to find their nearest dealer here: <http://prointercomllc.com/contact/>.

Should you have any questions or need further assistance in setup for this application, please contact Listen's Technical Services team at 801.233.8992 or support@listentech.com.